



Safety Instructions

0, 1, 2, 3, 4, 5, 6, 7, 8, 9, 10,
11, 15, 18, 22, 25, 26 27

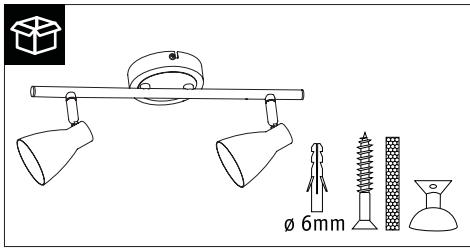
Info Hotline

+49 (0) 5041 998 389
Mon. - Do. 7⁰⁰ - 20⁰⁰
Fr. 7⁰⁰ - 17⁰⁰

Paulmann Licht GmbH
Quezinger Feld 2
31832 Springe
Germany
www.paulmann.com

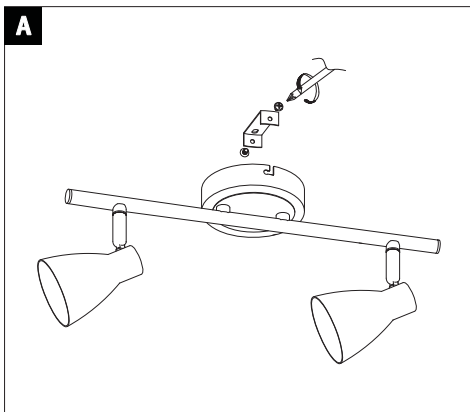
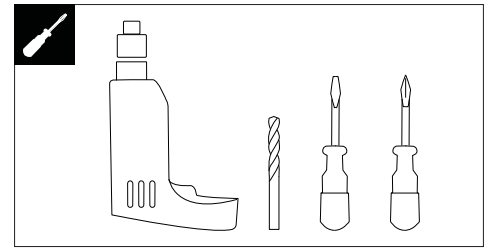
Art.-Nr.: 66554/66563

(+MA 173) POM 01/15



incl.
2x3.5W
GU10 LED

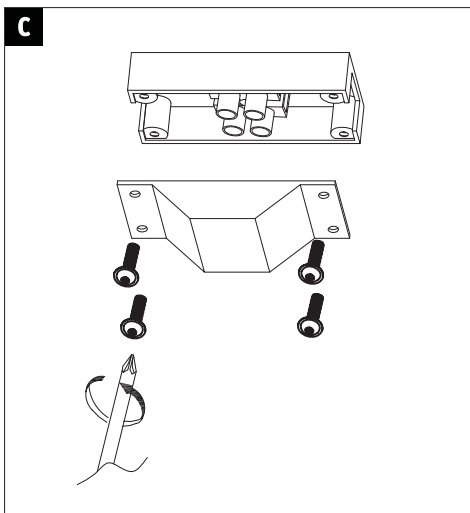
Art.-Nr. 28299
www.paulmann.com



B

Safety Instructions
Nr. 0, 1, 2

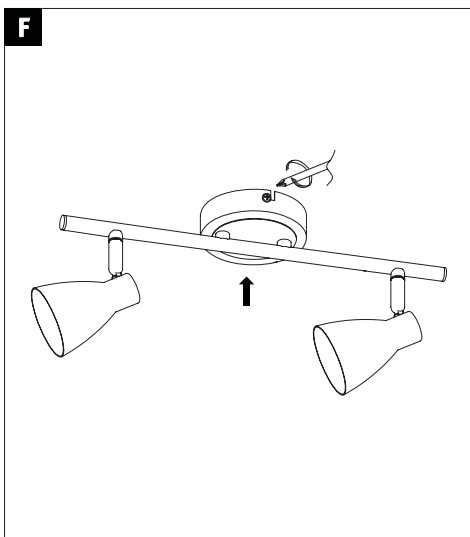
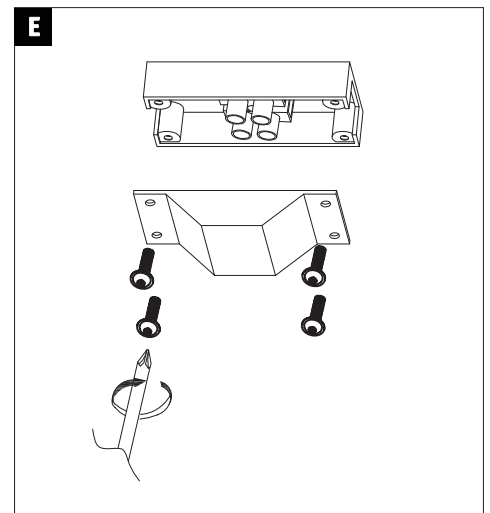
50mm



D

7mm
14mm
230V

Safety Instructions
Nr. 0, 1, 4



G

Safety Instructions
Nr. 0, 1, 4

H

2xMax. 40W

0,5m

Safety Instructions
Nr. 9